

KÄRCHER

**EFFICIENT.
COMFORTABLE.
EASY.**

Multifunctional vacuum
sweeper MC 150.

karcher-municipal.com



KONSTANZE

Tee

HARD WORK MADE EASY

Compact, manoeuvrable and powerful. More comfortable than ever – the multifunctional vacuum sweeper MC 150 makes city centre cleaning and performing many other tasks back- and user-friendly thanks to the active hydro-pneumatic suspension system.





COMPACT. HIGH PER- FORMANCE.

Easy to manoeuvre and suitable for pavements: the machine is ideal for use in city centres. And it is large enough to carry a second worker.

Kärcher vacuum sweepers have been tried and tested over thousands of operating hours. The MC 150 also boasts excellent cleaning results and high ride comfort.

The machine is ahead of the game in terms of driving and sweeping efficiency – the powerful 48 kW engines impress with high fuel efficiency and low emissions.



Passenger vehicle driving licence is sufficient

The permissible total weight of 3.5 tonnes has two key advantages in most European countries. It means that the machine can be used on pavements and that a class B driving licence is sufficient.

Easy to steer round corners

Extremely narrow and extremely manoeuvrable: the articulated steering combined with compact dimensions provides optimum freedom of movement with 100% directional stability - for precise manoeuvring in very tight spaces.

High traction thanks to all-wheel drive

The permanent hydraulic all-wheel drive with traction control and the optional differential lock ensure safety. The machine also features an automatic parking brake for all four wheels and a powerful braking system.



COMFORTABLE WORKPLACE

Climb in, get comfy and off you go - the Kärcher vacuum sweeper offers a high level of comfort on a par with a passenger vehicle thanks to its generous, comfortable cab for up to two people.



Take on the city with two joysticks

The MC 150 is controlled with modern operating technology. Press one button to move it into the working position and another to start sweeping. The functions can also be adjusted manually – a feature present in the larger machine classes.

Multifunctional display in the steering wheel

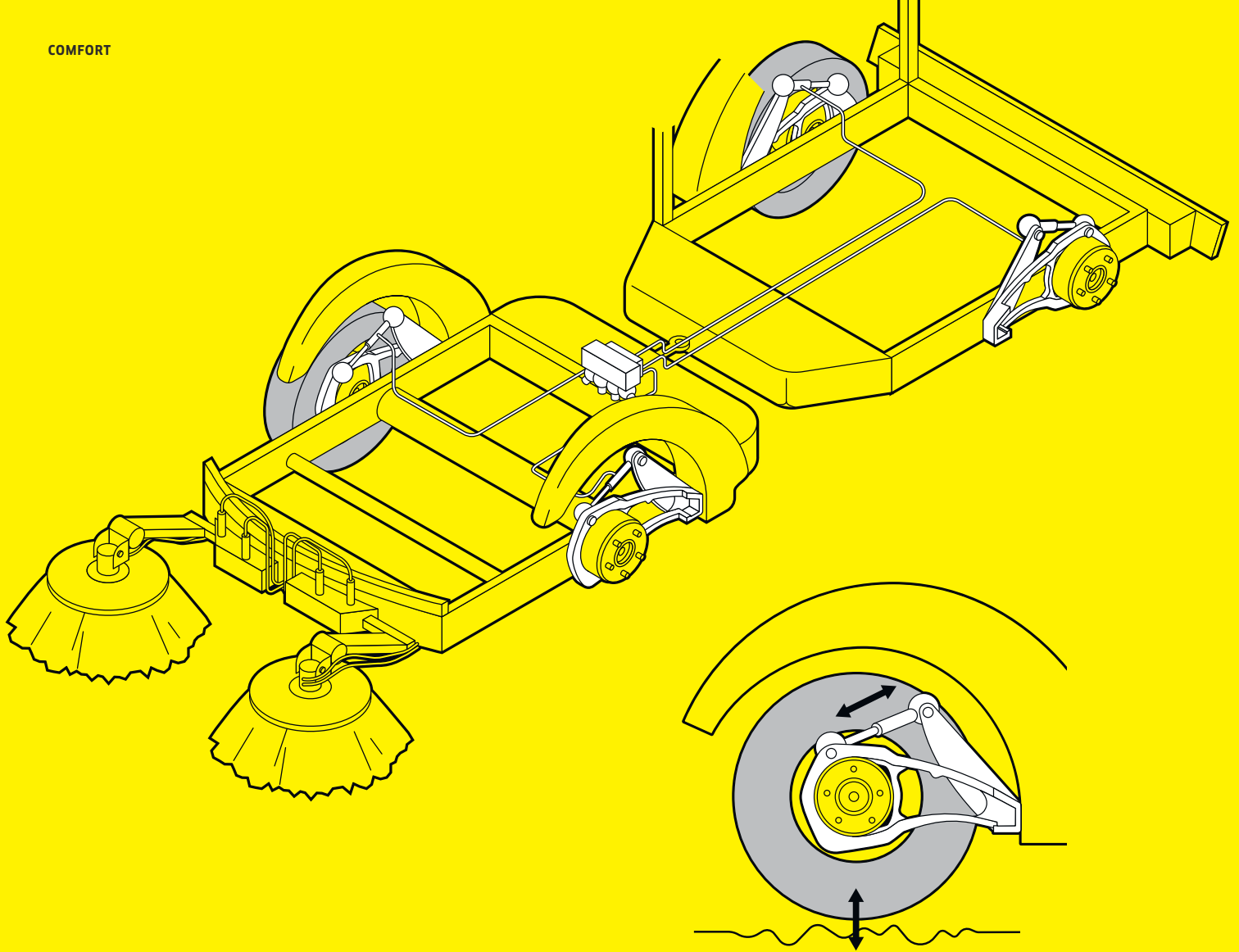
Keep an eye on all important data at a glance – the multifunctional display assists the driver during all the demanding precision work involved in sweeping. Its position in the steering wheel enables the driver to fully concentrate on the work environment.

A 360° view

The cab, which is tilted towards the front, provides the driver with an optimum view of the work environment and the outer edge of the implements. The heated windscreen, which comes as standard, guarantees perfect vision at any time.

Power can also be quiet

A loud machine is a problem in the long run – which also affects pedestrians in the immediate vicinity. The operating noise of the MC 150 is pleasantly quiet both inside and out, which means that municipalities can even be swept during the night and early in the morning.



ACTIVE SUSPENSION

Thanks to its active hydropneumatic suspension, the MC 150 is the only machine in its class to offer a high level of suspension comfort – in any load condition.

Unlike mechanical systems, the new active hydropneumatic suspension has one key advantage – it actively responds to different load conditions. This is what provides the added comfort for users under tough every-day working conditions.

This is because the machine drives and behaves just as comfortably in the mornings when it is not loaded as it does shortly before the end of the working day, for example after the maximum quantity of waste has been collected.



High stability in every situation

The active suspension has many benefits. In addition to the load-independent behaviour, the hydropneumatic system also increases driving stability when driving round corners and keeps the machine upright.

More than comfort - a healthy working environment

We have given our all to make things as comfortable as possible for the drivers. The dynamic four-point cab suspension together with the new active hydro-pneumatic suspension provide high ride comfort with minimum vibrations. It is also for this reason that the independent association "Aktion Gesunder Rücken e.V." (AGR) - the Campaign for Healthier Backs - has awarded the machine its seal of approval for ergonomics.

The benefits for you at a glance:

- **The active hydropneumatic suspension system automatically adapts to changes in weight**
- **For maximum driving comfort, the chassis is raised at high speeds**
- **The individual control system on each individual suspension cylinder always provides the perfect balance**
- **Awarded the "Aktion Gesunder Rücken e.V." seal of approval.**



CLEANING PROFESSIONAL

Fitted with a two- or three-brush system, the multifunctional vacuum sweeper also guarantees optimum results for demanding cleaning tasks. This is down to features such as individual brush control, individual brush relief, the automatic coarse dirt flap and the hydraulic angle adjustment.



MORE THAN SIMPLY SWEEPING

The MC 150 can also be used as a multi-functional implement carrier. See more information on page 16 onwards.

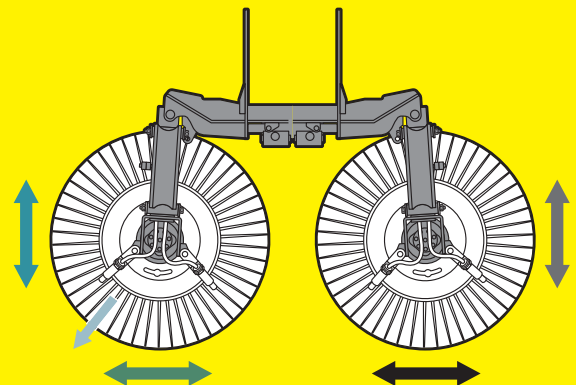





MC 150 WITH TWO-BRUSH SYSTEM

The sliding two-brush system has individual brush control for independent control of the brush arms. The unique parallelogram guide ensures even wear of the brushes and therefore a longer service life.

Highlights and specifications:

- Sweeping width up to 2,450 mm
- Maximum brush range
- Water spraying reduces dust dispersal
- Separately controlled brush relief and speed
- Angle adjustment to adjust the right or left side brush (option)
- Maximum start-up protection



-  Individual brush control
-  Brush relief right/left
-  Brush angle adjustment (option)

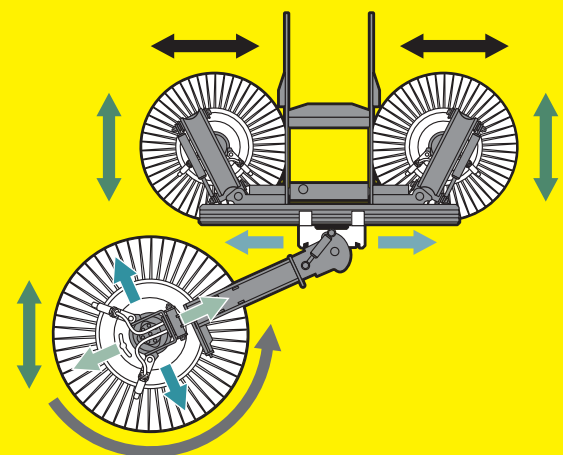


MC 150 WITH THREE-BRUSH SYSTEM

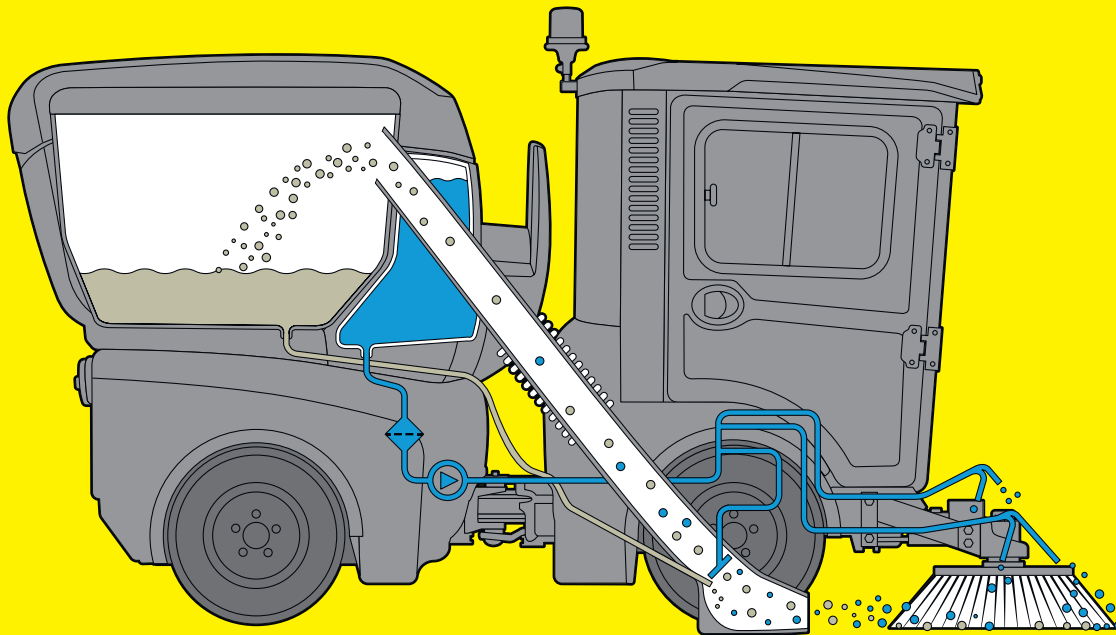
The three-brush system enables flexible work with a sweeping width of up to 2,660 mm – that means, for example, that you can clean the full width of a cycle path in one go. The particular strengths of this system, which is optimised for city centres, include sweeping niches and working at different levels.

Highlights and specifications:

- Sweeping width up to 2,660 mm
- Possible to work at two levels
- Possible to work over large areas thanks to lateral displacement
- Distance between the brush and the machine is always the same
- Sweeping direction can be changed from the cab
- Sweeping surface can be adjusted easily
- Weed brush



- Sweeping width adjustment
- Individual speed adjustment
- Brush relief
- Brush angle adjustment
- Pitching
- Side shift



CLEAN SYSTEMATICALLY

Save money and protect the environment – the efficient suction system with a water circulation system keeps water consumption low.

Like all Kärcher vacuum sweepers, the MC 150 also uses a powerful vacuum system as standard that Kärcher has developed using complex CFD flow simulations.

With the water circulation system, the dust is bound even more efficiently, with significantly lower water consumption and longer operating times. This makes work efficient and environmentally friendly.



Save time and water

The water circulation system reduces the fresh water requirement considerably. This means longer work intervals, which increases efficiency and productivity.

Clever filling and emptying

The large waste container (1,500 l) comes with a water circulation screen. The easily accessible exhaust air screen simplifies cleaning. It is also possible to manually fill it with bulky dirt. Dirty water can be drained off separately.

Powerful but quiet vacuuming

The entire suction fan is aerodynamically optimised – from the pick-up head to the suction hose right through to the container. This is how it achieves maximum suction power, works quietly and saves fuel even at low engine speeds.

Easily remove blockages

With one simple procedure – Kärcher is the only manufacturer to provide a removable suction hose. This enables a blockage, which cannot be completely ruled out on vacuum sweepers, to be removed quickly and easily.



TACKLES EVERY- THING, ANYWHERE

The MC 150 is also an implement carrier and therefore is ready for anything, every day of the year. Three implement interfaces and powerful hydraulic drives make it possible to use the machine anywhere – for applications such as watering, mowing or for winter service.





A REAL ALL-ROUNDER

Powerful performance - the robust front lift can move and carry heavy implements. This makes it suitable for applications such as winter service with a snow thrower and spreader.

The large lifting force and payload of the front lift make the machine an enthusiastic powerhouse. The high-performance hydraulic system transfers the engine power extremely effectively.

Implement carrier highlights:

- Efficient year-round use
- Several separate hydraulic circuits for controlling several implements
- Implements with a high power consumption, such as a flail mower or snow thrower, can be used effortlessly
- Free selection of implements thanks to standardised three-point support CAT 0 and CAT 1



High flexibility

Three implement interfaces at the front, rear and above the engine enable a wide range of applications, such as watering or washing with a large water tank.

A robust investment

The stable frame is designed to carry heavy loads for long periods of time and can be used without restrictions, even in winter service, thanks to its high-quality corrosion protection. The front and rear axle load of 2,000 kg enables you to attach heavy implements all year round, even on the front of the vehicle.

One container, multiple uses

The 1,500-litre container can be used for a number of applications, from sweeping to cleaning floors using a scrubbing deck and the maintenance of green areas. This saves on time spent changing the container and improves efficiency.

High pressure on board

A Kärcher high-pressure cleaner can be optionally integrated ex works so that users can also clean park benches, traffic signs or the machines themselves.



MAINTENANCE AND CLEANING

During development, we have made sure that maintenance and cleaning are as easy for you as possible. This ensures that cleaning and maintenance tasks are fun and are carried out regularly. The result is a longer machine service life and the best results in the long term.



Simple cleaning

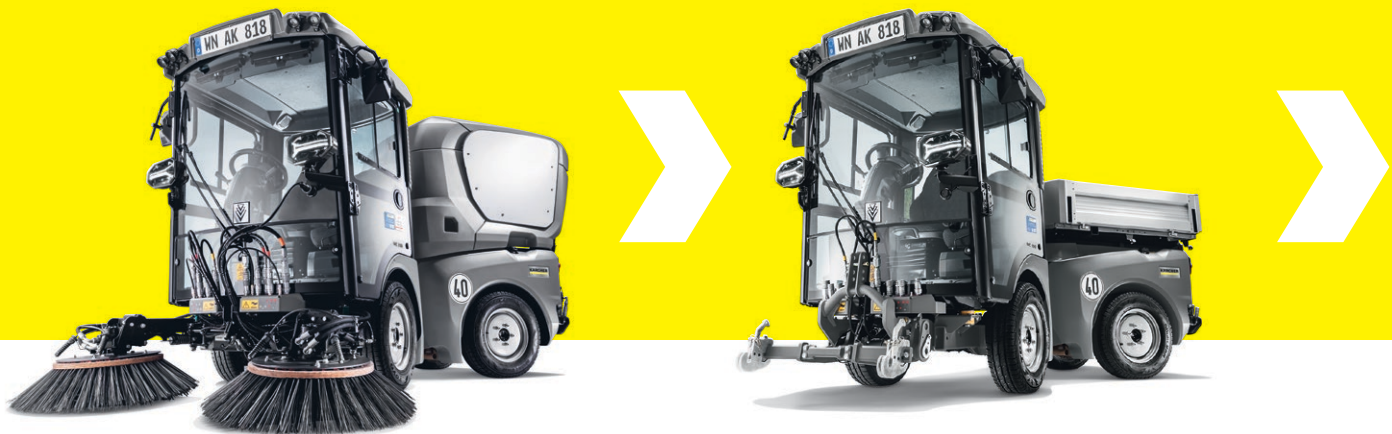
The well-thought-out design of the MC 150 enables simple and fast cleaning, which leaves more time for important matters. Unpleasant dirt accumulation in the waste container is a thing of the past, while regular cleaning increases the service life of the components.

Rapid maintenance

Swivelling engine covers make servicing extremely simple. They provide access to all maintenance-relevant components and the engine. Maintenance tasks are made easier through central lubrication points, easy monitoring of hydraulic fluid and simple air filter changes. This saves time, money and hassle.

UPGRADE NOW!

Decide on the MC 150 now and benefit from the unique advantages of the tried and tested machine concept.



Multifunctional vacuum sweeper MC 150

Technical highlights

- Two-step traction drive
- Permanent all-wheel drive
- Two-person cab with heated windscreen
- Integrated hydraulic tilting frame
- Spring-mechanism parking brake on all four wheels

Drive/engine	Four-cylinder common rail engine with DPF/Kubota	
Power	48 kW at 2,700 rpm	
Driving speed	km/h	40
Climbing ability	%	30
Turning radius (inner)	mm	1,221
Minimum dimensions (L × W × H)	mm	3,412 × 1,220 × 1,979 (implement carrier without front lift) 3,774 × 1,220 × 1,979 (sweeper with 2-brush system)
Permissible total weight	kg	3,500
Towing capacity (braked)	kg	3,000
Unladen weight	kg	2,050
Container capacity	l	1,500
Fresh water tank	l	195
Working width	mm	2,450/2,660

365 DAYS A YEAR

The implements on the machine can be changed easily and quickly. This makes work easier and increases efficiency and productivity.



Find out everything you need to know about the attachment options at karcher-municipal.com

Three implement interfaces mean the implement carrier can be used anywhere. The front lifting system is compatible with implements in the CAT 0, CAT 1 and CAT 1N categories from a wide range of manufacturers. One person can easily swap the attached implements, such as a brush system, using supporting stands.

Quick-change system for easy implement swapping - the integrated quick-change system lifts and lowers implements hydraulically. No more hand spindles which have to be adjusted by hand one after the other.



WHAT IF THE FUTURE CHANGES TOMORROW?

No matter how radically your tasks change, we can help you to keep up with the challenges ahead. Just reach out to us to reach for the stars.

**Nothing can stop you.
With Kärcher Services.**



rental



used



financial solutions



service packages



all brands service



cleaning consulting



service app



original spare parts



visual remote support



More information about our top services can be found at [karcher.com](https://www.karcher.com)

SERVICES THAT WE CAN BE PROUD OF

Maintenance and repair

Our experienced and qualified personnel carry out maintenance and repairs quickly and professionally – regardless of whether mechanical, electrical or hydraulic work is required. Service staff attend regular training events and pursue qualifications, ensuring that every task carried out on your Kärcher or Holder vehicle is done correctly. In this way, we guarantee you fast and smooth maintenance and repair.

Complete overhaul

Do you already have a Kärcher or Holder vehicle and would like to have it reconditioned, or have you had an accident? We will not let you down! In our own Kärcher Municipal service centres, we carry out even the most extensive complete overhauls.

Air conditioning service

We offer professional cleaning of your air conditioning system as well as regular maintenance and repair. In this way, you ensure flawless operation, increase the service life of your air conditioning and keep a cool head at all times, even in hot temperatures!

Official inspections

We are happy to take care of the official inspections of your Holder or Kärcher vehicle and the corresponding implements, such as the main inspection* and the safety inspection, in accordance with the accident prevention regulation (UVV Inspection). Make an individual appointment at our service workshops.

On-site service

The workshop comes to you with our qualified and trained service technicians who possess the necessary know-how and expertise. The service vehicles are well equipped with diagnostic devices and tools, so nothing stands in the way of customer service or repair on your premises. What's more, in the winter season, we offer a 24/7 on-call service.

Collection and delivery service

Whether you have broken down or maintenance or repair work is required – we will collect your Kärcher or Holder vehicle for you and bring it back to you after the repair. Alternatively, we can commission a forwarding agency and organise the transport for you, so you don't have to worry about it yourself.

Warranty

You have the option to extend your warranty up to 36 months. We would be happy to advise you.

* We carry out the main inspection in cooperation with an officially recognised inspection organisation.



**THE RIGHT
MACHINE AT THE
RIGHT TIME**



Kärcher Municipal offers you a complete vehicle portfolio with a wide variety of models. From the standalone sweeper through to the ultra-versatile implement carrier. With performance classes to meet every requirement.
Kärcher Municipal offers you solutions for every task.

Discover our all-rounders at
[karcher-municipal.com](https://www.karcher-municipal.com)

KÄRCHER

makes a difference

We would be happy to advise you:

Germany

Kärcher Municipal GmbH
Mahdenstraße 8
72768 Reutlingen
Phone +49 7121 930729-0
Fax +49 7121 930729-213
info@municipal.karcher.com
www.karcher-municipal.com

USA

Kärcher Municipal
North America Corp.
3 Allied Drive
Suite 303
Dedham, MA 02026
Phone +1 844 332-3200
Fax +1 613 443-9600
www.kaerchermunicipal-na.com

Canada

Kärcher Municipal
North America Inc.
100 Bay Street
Embrun, ON
K0A 1W1
Phone +1 613 443-3200
Fax +1 613 443-9600
www.kaerchermunicipal-na.com

United Kingdom

Kärcher (UK) Ltd
Kärcher House
Brookhill Way
Banbury
Oxon OX16 3ED
Phone +44 1295 752-000
Fax +44 1295 752-103
www.karcher.co.uk

Ireland

Kärcher Ltd (Ireland)
Unit 3, Redcow Retail Centre
Robinhood Road
Ballymount, Dublin 22
D22 PY03
Phone +353 1 409-7777
Fax +353 1 409-7775
www.karcher.ie

India

Kärcher Cleaning System Pvt. Ltd.
A-42/4, Sector-62
Noida - 201 309
Uttar Pradesh
For Sales queries:
info.in@kaercher.com
For Service queries:
service.in@kaercher.com
www.karcher.com/in

South East Asia

Kärcher Singapore Private Limited
3 Depot Close, #01-01
Singapore 109840
Phone +65 6897 1811
For Service enquiries:
service-sg@karcher.com
For Sales enquiries:
sales-sg@karcher.com
www.karcher.com/sg/

Kärcher Limited Taiwan
No. 502 Yuanshan Road
Zhonghe District
New Taipei City
Taiwan 23545

Phone +886 2 2221-0698
Fax +886 2 2221-1695
www.karcher.com/tw/

Australia

Kärcher Pty Ltd
385 Ferntree Gully Road
Mount Waverley
Victoria, AU 3149
Phone 1800 675-714
(Free Call)
www.karcher.com.au

New Zealand

Kärcher Ltd
66 Allens Road
East Tamaki
Auckland 2013
Phone +64 9 274-4603
Fax +64 9 274-6932
www.karcher.co.nz

North Africa

Kärcher SARL
Immeuble Yasmine Tower
Bloc A 6ème étage, bureau A 6.6
Centre Urbain Nord
1082 Tunis
Tunisia
Phone +216 36339020
info@tn.karcher.com
www.karcher.tn

East Africa

Kärcher Limited
Muthangari Drive
P.O. Box 40111-00100
Nairobi
Kenya
Phone +254 700085927
info@ke.karcher.com
www.karcher.com/ke

South Africa

Kärcher (Pty) Ltd
P.O. Box 1509
2 North Rand Road
Hughes Ext 72
Boksburg
1459
Johannesburg
Phone +27 11 657-7300
Fax +27 11 657-7440
www.karcher.co.za

Middle East

Kärcher FZE
Quality Cleaning Systems
Jebel Ali Free Zone
Plot No. S-10104 South Zone
RA 08, XB 1, Jebel Ali
Dubai
Phone +971 4 886-1177
Fax +971 4 886-1575
customercare@ae.karcher.com
www.karcher.ae

Optimal advice, sales and service with your Kärcher Municipal partner: